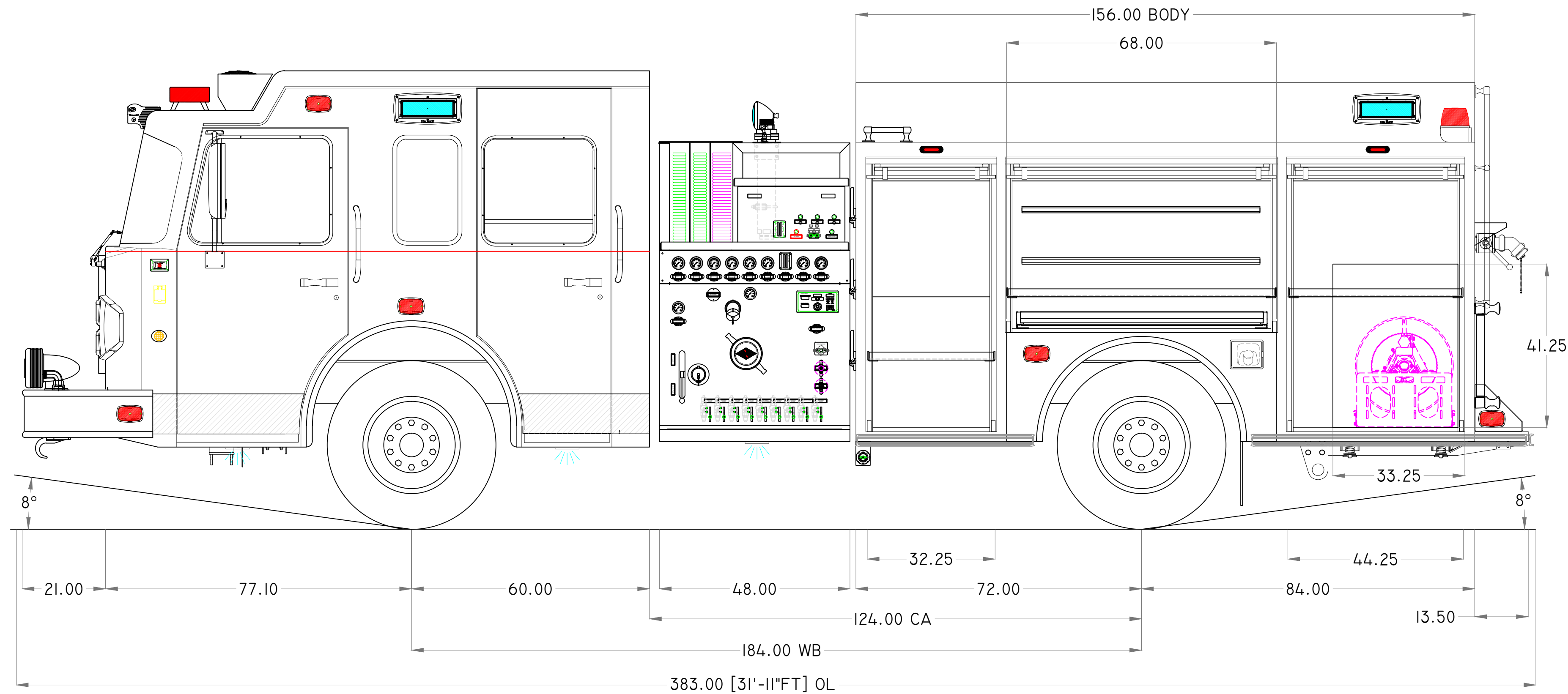
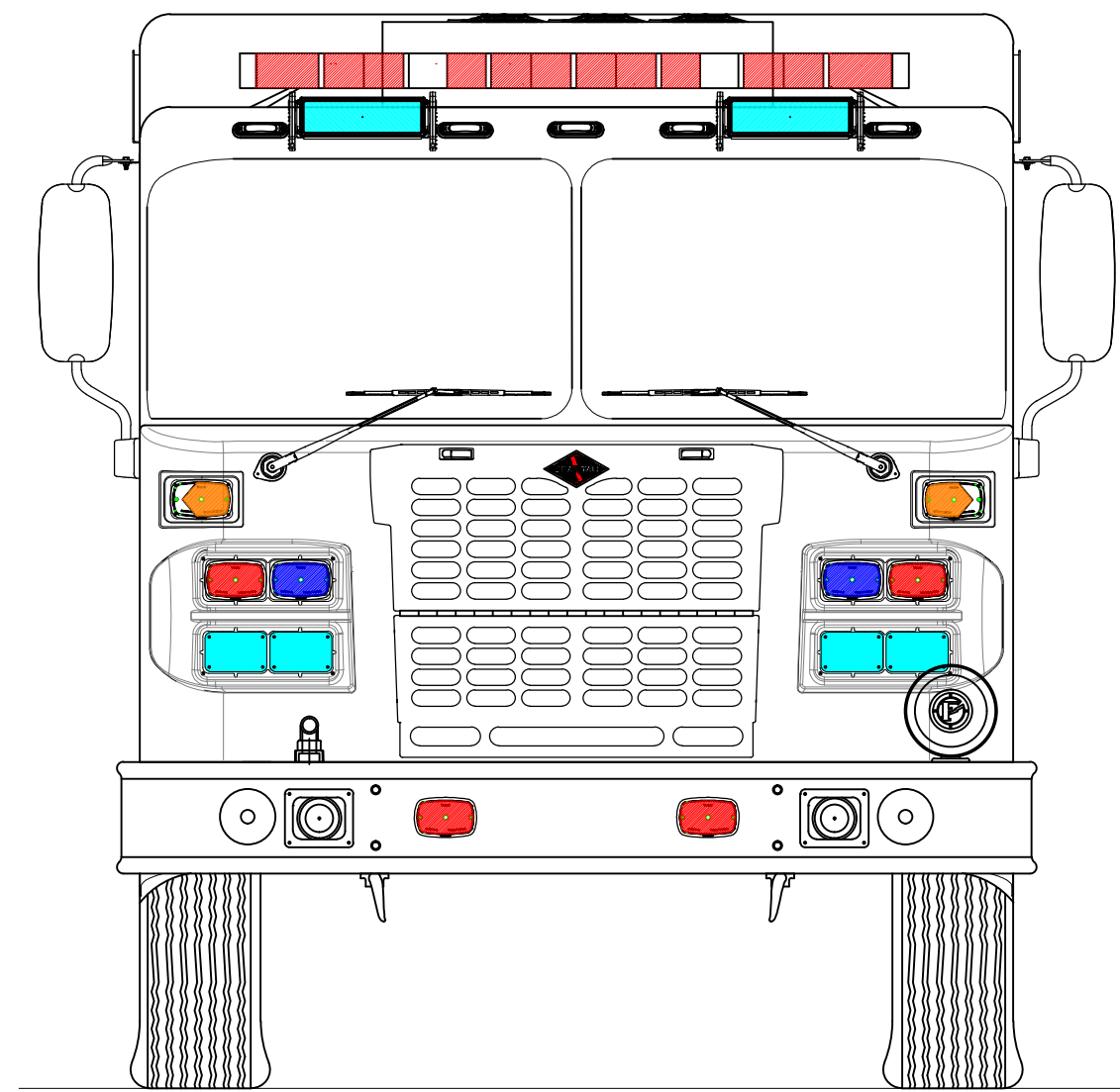
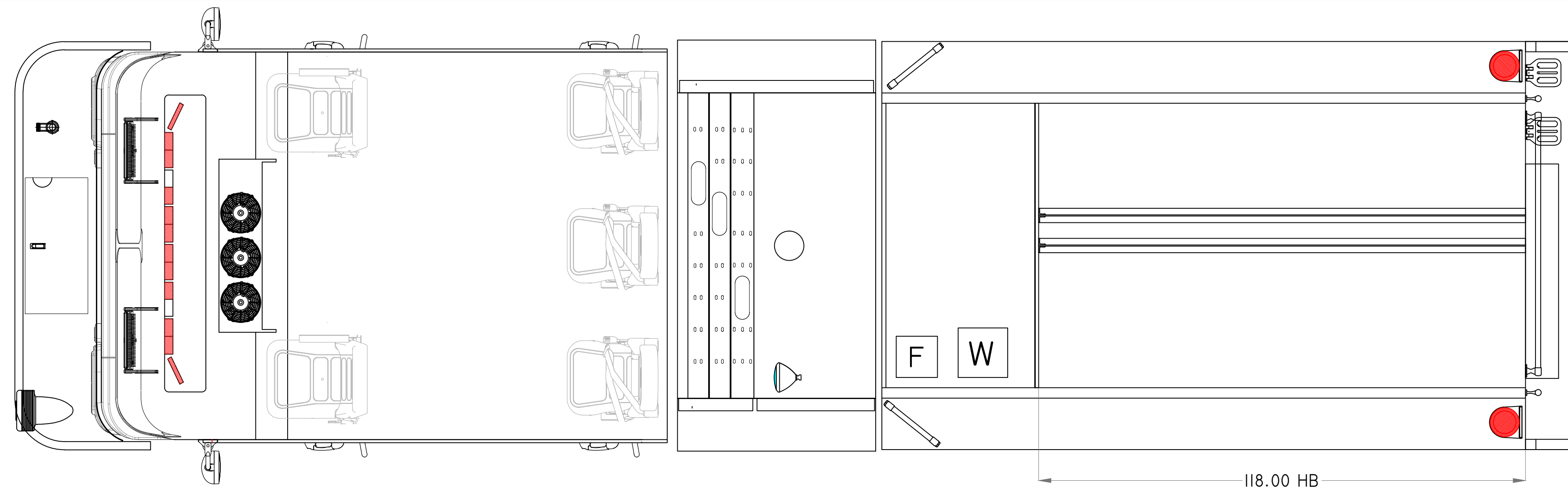


Compartment	Volume (Cubic Feet)
L1	29.392
L2	27.369
L3	36.401
R1	29.392
R2	27.369
R3	36.401
B1	31.162
Hose Bed Area	117.25



CHASSIS: SPARTAN METRO STAR EMFD 10" RR  
 ENGINE: CUMMINS ISL 450 HP  
 TRANSMISSION: ALLISON 3000 EVS  
 AXLES: F 20,000 LB / R 26,000 LB  
 MODEL: 2112  
 WATER/FOAM: 1000 GALLONS / 20 GALLONS  
 PUMP: WATEROUS CSU 1500 GPM  
 FOAM SYSTEM: N/A  
 GENERATOR: N/A

**DOOR FRAMED OPENINGS**

COMPARTMENT	DOOR FRAMED OPENING
L1	32.25-W x 68.0-H
L2	68.0-W x 43.0-H
L3	44.25-W x 68.0-H
R1	32.25-W x 68.0-H
R2	68.0-W x 43.0-H
R3	44.25-W x 68.0-H
BI	36.0-W x 37.25-H

**SPECIAL NOTES:**

- LADDER PACKAGE**
- (1) Duo-SAFETY 24 FT.-2 SEC, 900A
  - (1) Duo-SAFETY 14 FT. ROOF, 775A
  - (1) Duo-SAFETY 10 FT. ATTIC, 585A

**CUSTOMER**

THIS DRAWING IS A CLOSE APPROXIMATION OF YOUR FIRE APPARATUS. IN ALL CASES WHERE THE DRAWING AND THE WRITTEN SPECIFICATION DIFFER, THE SPECIFICATION SHALL PREVAIL. PLEASE WORK WITH YOUR DEALER TO ASSURE THAT THE WRITTEN SPECIFICATION REPRESENTS WHAT YOU WANT IN YOUR FINISHED PRODUCT. SPARTAN EMERGENCY RESPONSE BUILDS TO THE WRITTEN SPECIFICATION, NOT THE DRAWING TO ASSURE THAT YOUR NEEDS ARE MET.

**PROPRIETARY AND CONFIDENTIAL**

THE INFORMATION CONTAINED IN THIS DRAWING IS THE SOLE PROPERTY OF SPARTAN EMERGENCY RESPONSE. ANY REPRODUCTION IN PART OR AS A WHOLE WITHOUT THE WRITTEN PERMISSION OF SPARTAN EMERGENCY RESPONSE IS PROHIBITED. SPARTAN MOTORS USA, INC. D/B/A SPARTAN EMERGENCY RESPONSE.

0	10/20/16	INITIAL PROPOSAL	M.G.H.
REV	DATE	DESCRIPTION	NAME

SCALE: NOT TO SCALE

CUSTOMER:

TRUCK NUMBER: MODEL # 2112  
 DEALER:

